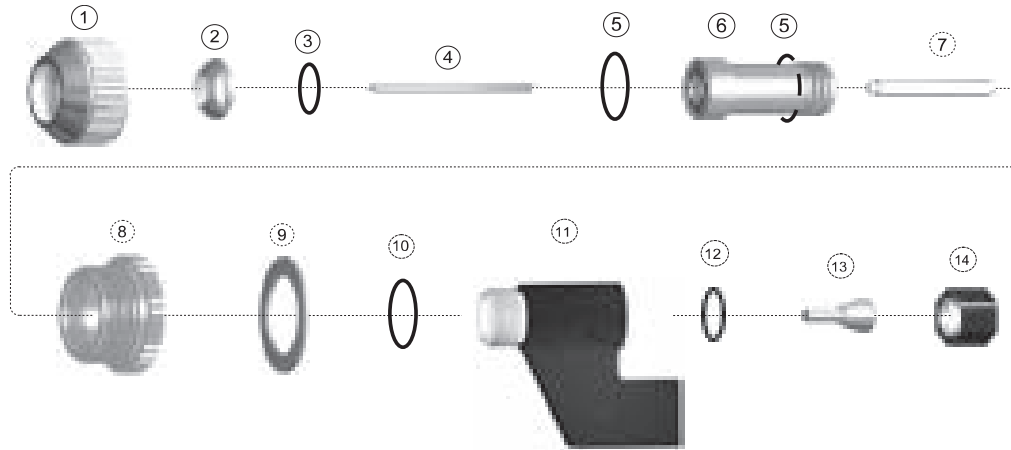


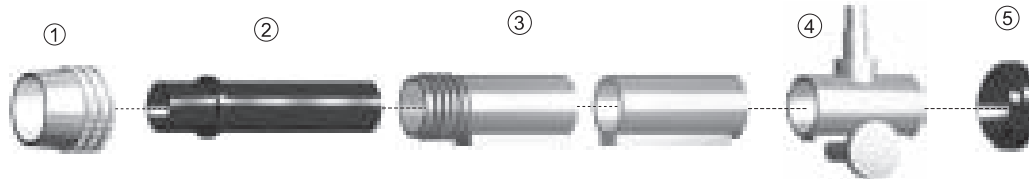
REPLACEMENT PARTS SUITABLE FOR THERMAL DYNAMICS®

PWM 300 WELDING TORCH



Item	Part No.	Ref. No.	Description	Std. Pkg.	Item	Part No.	Ref. No.	Description	Std. Pkg.
1.	T-2360	8-4373	End Cap	1	7.	T-2365	8-6651	Insulating Sleeve	1
2.	T-2361	8-4370	Tip, .093, 200A	5	8.	T-2366	8-6652*	Shield Cup Diffuser	1
	T-2362	8-4371	Tip, .113, 250A	5	9.	T-0230	8-6512	Gasket	5
	T-2363	8-4372	Tip, .125, 300A	5	10.	T-0108	8-0531	O-Ring	10
3.	T-2152	9-2863	O-Ring	10	11.	T-2369	8-6649	Torch Body	1
4.	T-1454	9-1827	Electrode	5	12.	T-2082	8-0534	O-Ring	10
5.	T-1029	9-2956	O-Ring	10	13.	T-2367	8-6650	Collet	1
6.	T-2364	8-6509	Liner (includes 50-720S 2x)	1	14.	T-2368	8-6654*	Electrode Cap	1

ACCESSORIES



Item	Part No.	Ref. No.	Description	Std. Pkg.	Item	Part No.	Ref. No.	Description	Std. Pkg.
1.	T-0157	8-4018	Nut	1	NS	T-0236*	8-6517 OEM	Wrench	1
2.	T-0183	9-1901*	Adapter	1	NS	T-2866	2-2845	PMW300 with 12.5' Leads	1
3.	T-0159	8-5005	Mounting Tube	1	NS	T-2867	2-2846	PMW300 with 25' Leads	1
4.	T-0160	7-2827*	Pinion Assembly	1	NS	KT-1207 (T-1445)	9-3088	PWH, M4A® Hose, shield, 4A/6A, 25'	1
5.	T-0161	8-4204	Bushing	1	NS	KT-1206 (T-1443)	8-1505	PWH, M4A® Hose, plas., 25'	1
NS	KT-1199	4-2525	Torch Leads, 12.5 ft.	1	NS	KT-1186 (T-1438)	9-2079	PWH, M4A® Lead, neg. W.C., 12,5' (3,8m)	1
NS	KT-1204	4-2544	Torch Leads, 25 ft.	1	NS	KT-1200 (T-1440)	9-2081	PWH, M4A® Lead, pos. W.C., 12,5' (3,8m)	1
NS	T-1442	8-0142	Plasma Gas Hose, 12.5 ft.	1	NS	KT-1201 (T-1439)	8-1398	PWH, M4A® Lead, neg. W.C., 25' (7,6m)	1
NS	T-1444	9-3086	Shield Gas Hose, 12.5 ft.	1	NS	KT-1202 (T-1441)	8-1399	PWH, M4A® Lead, pos. W.C., 25' (7,6m)	1

NS NOT SHOWN IN THE PICTURE