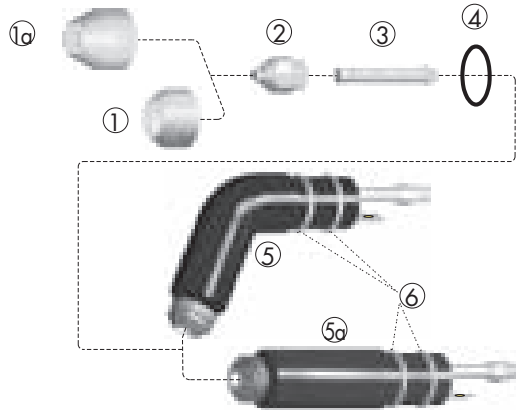
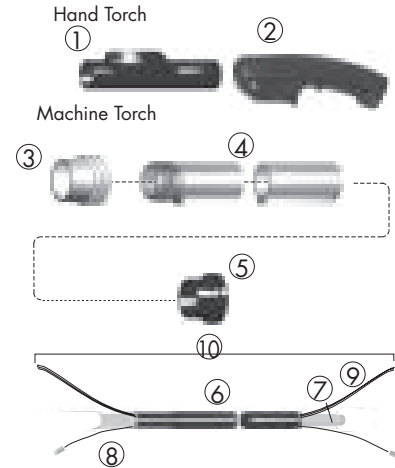


REPLACEMENT PARTS SUITABLE FOR THERMAL DYNAMICS®

PCH/M-51 TORCH



ACCESSORIES



Item	Part No.	Ref. No.	Description	Std. Pkg.	Item	Part No.	Ref. No.	Description	Std. Pkg.
1.	T-0143	9-5630	Shield Cup	10	T-0149	9-5724	Tip, .078, Gouging	10	
	T-0144	8-2152	Shield Cup, SR	2	3.	T-0150	9-5633	Electrode	10
	T-0145	8-2151	Shield Cup, SR, Long	1	4.	T-0151	8-5525	O-Ring	10
1a.	T-0146	8-5526	Crown Shield Cup	5	5.	T-0152	9-5635	TMT-51, Hand Torch	1
	T-0147	8-5526-1	Crown Shield Cup, SR	1	5a.	T-0156	9-5634	TMT-51, Machine Torch	1
2.	T-0148	9-5631	Tip, .043	10	6.	T-0122	8-0533	O-Ring	10

ACCESSORIES

Item	Part No.	Ref. No.	Description	Std. Pkg.	Item	Part No.	Ref. No.	Description	Std. Pkg.
1.	T-0155	8-1322*	Retaining Sheath	1	T-0900	9-4277	Control Cable, 50'	1	
2.	T-1040	9-5636-1	Handle with Switch	1	10.	T-0856	4-2871	Hand Torch Leads, 12.5'	1
3.	T-0157	8-4018	Nut	1	T-0857	4-2874	Machine Torch Leads, 12.5'	1	
4.	T-0159	8-5005	Mounting Tube	1	T-0858	4-5030	Hand Torch Leads, 25'	1	
5.	T-0161	8-4204	Bushing	1	T-0859	4-5031	Hand Torch Leads, 50'	1	
6.	T-0872	9-5515	Leads Sleeving, 25'	1	T-0860	4-5032	Machine Torch Leads, 25'	1	
	T-0862	8-6095	Shielded Sleeving, 25'	1	T-0861	4-5033	Machine Torch Leads, 50'	1	
	T-0863	8-6096	Shielded Sleeving, 50'	1	NS	T-0848	2-2860	Hand Torch with 25' Leads	1
7.	T-0866	9-4273	Negative Lead, 25'	1	NS	T-2893	2-2985	Hand Torch 70° with 25' leads	1
	T-0867	9-4274	Negative Lead, 50'	1	NS	T-0849	2-2861	Hand Torch with 50' Leads	1
8.	T-0870	9-4279	Pilot Lead, 25'	1	NS	T-2894	2-2986	Hand Torch 70° with 50' leads	1
	T-0871	9-4280	Pilot Lead, 50'	1	NS	T-0852	2-2864	Machine Torch with 25' Leads	1
9.	T-0899	9-4276	Control Cable, 25'	1	NS	T-0853	2-2865	Machine Torch with 50' Leads	1