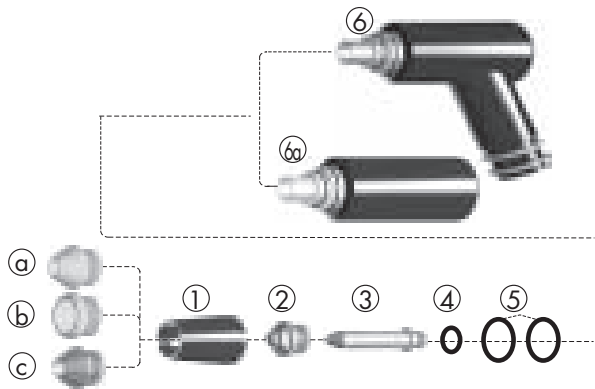
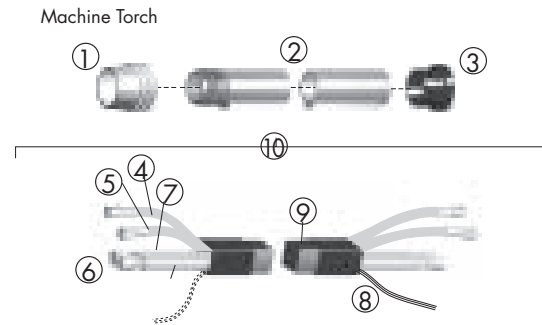


REPLACEMENT PARTS SUITABLE FOR THERMAL DYNAMICS®

PCH/M-150 TORCH



ACCESSORIES



Item	Part No.	Ref. No.	Description	Std. Pkg	Item	Part No.	Ref. No.	Description	Std. Pkg.
1.	T-2172	9-5758-5	Plastic Bottom	1	T-0247	9-5767	Tip, .067 Nit 150 Amp	5	
1a.	T-0237	9-5750	Shield Cup	1	T-0248	9-5766	Tip, .052 Nit 100 Amp	5	
	T-1032	9-5750-1	Ceramic Taper Piece	1	3.	T-0253	9-5749	Electrode, Air	5
1b.	T-0238	9-5758	Shield Cup, Tip Exp.	1	T-0254	9-5754	Electrode, Nit, AR/H	5	
1c.	T-0239	9-5790	Shield Cup, Metal	1	T-0255	9-5760	Electrode, Oxy	5	
	T-2176	9-5790-1	Metal Front Piece	1	4.	T-0263	8-0537	O-Ring, Small	10
2.	T-0241	9-5746	Tip, .070 Air 150 Amp	5	5.	T-0264	8-0540	O-Ring, Large	10
	T-0242	9-5747	Tip, .055 Air 100 Amp	5	6.	T-0256	9-5743	TMT-150 Hand Torch, 70°	1
	T-0243	9-5748	Tip, .043 Air 50 Amp	5	T-2171	9-5744	TMT-150 Hand Torch, 90°	1	
	T-0244	9-5751	Tip, .070 Oxy 150 Amp	5	6a.	T-0257	9-5745	TMT-150 Machine Torch	1
	T-0245	9-5752	Tip, .052 Oxy 100 Amp	5					

ACCESSORIES

Item	Part No.	Ref. No.	Description	Std. Pkg	Item	Part No.	Ref. No.	Description	Std. Pkg.
1.	T-0261	8-2158*	Adapter, 1 3/8" Dia	1	T-0960	8-1058	Leads Sleeving, 50'	1	
2.	T-1077	7-3207	Mounting Tube	1	T-0963	8-5139	Shielded Sleeving, 25'	1	
3.	T-0161	8-4204	Bushing	1	10.	T-0954	4-2863	Hand Leads, 25'	1
4.	T-0965	8-5565	Plasma Lead, 25'	1	T-0955	4-2864	Hand Leads, 50'	1	
	T-0966	8-5566	Plasma Lead, 50'	1	T-0956	4-2865	Machine Leads, 25'	1	
5.	T-0961	8-5135	Secondary Gas Hose, 25'	1	T-0957	4-2866	Machine Leads, 50'	1	
	T-0962	8-5136	Secondary Gas Hose, 50'	1	NS	T-0950	2-2980	Machine Torch with 25' Leads	1
6.	T-0969	8-6139	Negative Lead, 25'	1	NS	T-0951	2-2981	Machine Torch with 50' Leads	1
7.	T-0971	8-6305	Coolant Return Hose, 25'	1	NS	T-0952	2-2982	Hand Torch 70° with 25' Leads	1
	T-0972	8-6306	Coolant Return Hose, 50'	1	NS	T-0958	2-2978	Hand Torch 90° with 25' Leads	1
8.	T-0967	8-5567	Control Cable, 25'	1	NS	T-0953	2-2983	Hand Torch 70° with 50' Leads	1
	T-0968	8-5568	Control Cable, 50'	1	NS	T-0959	2-2979	Hand Torch 90° with 50' Leads	1
9.	T-0940	8-1000	Leads Sleeving, 25'	1					