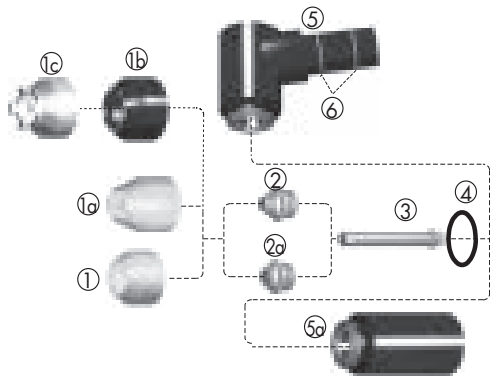
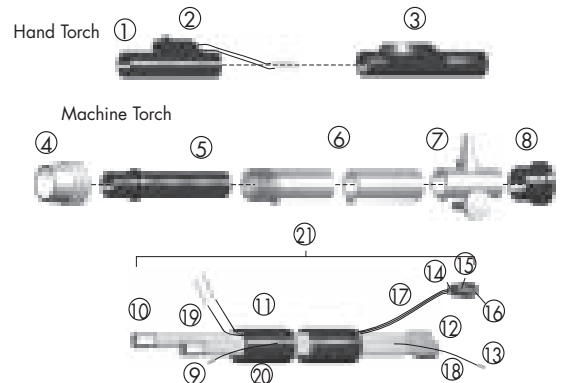


REPLACEMENT PARTS SUITABLE FOR THERMAL DYNAMICS®

PCH/M-52 TORCH



ACCESSORIES



Item	Part No.	Ref. No.	Description	Std. Pkg.	Item	Part No.	Ref. No.	Description	Std. Pkg.
1.	T0166	9-5617	Shield Cup	10	2a.	T0175	9-5709	Gouging Tip, 70 Amp	10
	T0167	9-5712	Drag Shield Cup, SR	1	3.	T0176	9-5619	Electrode, Air	10
1a.	T0168	9-5694	Crown Shield Cup	10		T-1021	8-3331	Electrode, Air	10
	T0169	9-5694-1	Crown Shield Cup, SR	1		T0177	9-5711	Electrode, Nitrogen (Dual gas)	10
1b.	T0186	9-5781	Shield Cup, Long, SR	1	4.	T0151	8-5525	O-Ring	10
1c.	T0188	9-5780	Shield Cup, Metal	1	5.	T0178	9-5642	TMT-52, Hand Torch	1
2.	T0170	9-5708	Tip, .059, 100 Amp	10	5a.	T0179	9-5643	TMT-52, Machine Torch	1
	T0187	9-5782	Tip, .052, 80 Amp	10	NS	T0185	8-5130*	Heat Shield	1
	T0171	9-5707	Tip, .047, 70 Amp	10	NS	T0189	8-4007	Tip Wrench	1
	T0172	9-5618	Tip, .043, 45 Amp	10	NS	T0163	8-4025	Lubricant	1
	T0173	9-5702	Tip, .031, 35 Amp	10					

ACCESSORIES

Item	Part No.	Ref. No.	Description	Std. Pkg.	Item	Part No.	Ref. No.	Description	Std. Pkg.
1.	T0180	9-5644*	Handle	1	14.	T-1067	9-3295	Cable Clamp	1
2.	T0181	9-5522	Switch	1	15.	T0894	9-3294	Plug	1
3.	T0182	8-4216*	Retaining Sheath	1	16.	T0865	9-3296	Pin	1
4.	T0157	8-4018	Nut	1	17.	T0900	9-4277	Control Cable, 50'	1
5.	T0183	9-1901*	Adapter	1	18.	T0870	9-4279	Pilot Lead, 25'	1
6.	T0159	8-5005	Mounting Tube	1		T0871	9-4280	Pilot Lead, 50'	1
7.	T0160	7-2827*	Pinion Assembly	1		T0907	9-5665	Plasma Lead, 50'	1
8.	T0161	8-4204	Bushing	1		T0904	9-5663	Negative Lead, 50'	1
9.	T0914	8-4190	Fitting (-), Torch End	1	21.	T0876	4-5034	Hand Torch Leads, 25'	1
	T0976	8-5085	Ferrule	1		T0877	4-5035	Hand Torch Leads, 50'	1
	T0889	8-5013	Ferrule	1		T0878	4-5036	Machine Torch Leads, 25'	1
11.	T0862	8-6095	Shielded Sleeving, 25'	1		T0879	4-5037	Machine Torch Leads, 50'	1
	T0863	8-6096	Shielded Sleeving, 50'	1		T0881	4-5044	Shielded Leads, 50'	1
	T0896	9-3035	Leads Sleeving, 50'	1	NS	T-1375	2-2937	TMT-52 70° With 50' Leads	1
	T0887	8-1498	Leads Sleeving, 25'	1	NS	T-1376	2-2938	TMT-52 Mach With 25' Leads	1
13.	T0924	8-7033	Fitting (-), Console End	1	NS	T-1377	2-2939	TMT-52 Mach With 50' Leads	1
	T0892	8-5518	Nut, Console End	1	NS	KT-1060	2-2936	TMT-52 Torch with Leads 7,6m (25')	1

NS NOT SHOWN IN THE PICTURE