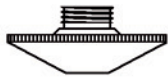


REPLACEMENT PARTS SUITABLE FOR TRUMPF®

PARTS FOR TRUMATIC® L2530®, L3030®, L3050®, L4030®, 6000L®, L6030®, L2503E®, L3003E®, L4003E®, TC 600L®



HG 10.150 - 158



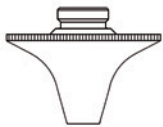
HG 10.152



HG 10.159

Standard copper nozzles / Standard copper nozzles with hard chromium plating

Part No.	Ref. No.	Description	Std. Pkg.	Part No.	Ref. No.	Description	Std. Pkg.
HG10.150	0124561	Nozzle 0,8mm	10pcs	HG10.154	0237501	Nozzle 1,7mm	10pcs
HG10.150/C	0352280	Nozzle 0,8mm HCP	10pcs	HG10.154/C	0352284	Nozzle 1,7mm HCP	10pcs
HG10.151	0124562	Nozzle 1,0mm	10pcs	HG10.155	1253211	Nozzle 2,0mm	10pcs
HG10.151/C	0352281	Nozzle 1,0mm HCP	10pcs	HG10.155/C	1253212	Nozzle 2,0mm HCP	10pcs
HG10.148	0966809	Nozzle 1,2mm	10pcs	HG10.158	0126933	Nozzle 2,3mm	10pcs
HG10.148/C	0352282	Nozzle 1,2mm HCP	10pcs	HG10.158/C	0352285	Nozzle 2,3mm HCP	10pcs
HG10.152	0237497	Nozzle 1,4 with step	10pcs	HG10.156	HG10.156	Nozzle 2,5mm	10pcs
HG10.152/C	0352283	Nozzle 1,4mm HCP	10pcs	HG10.149	0942742	Nozzle 2,7mm	10pcs
HG10.159	237497-S	Nozzle 1,4mm with straight taper	10pcs	HG10.149/C	0352286	Nozzle 2,7mm HCP	10pcs
HG10.153	237500	Nozzle 1,5mm	10pcs	HG10.157	0237504	Nozzle 3,0mm	10pcs



HG 10.130-137

Long copper nozzles / Long copper nozzles with hard chromium plating

Part No.	Ref. No.	Description	Std. Pkg.	Part No.	Ref. No.	Description	Std. Pkg.
HG10.130	1277773	Nozzle 0,8mm	10pcs	HG10.134	1277779	Nozzle 1,7mm	10pcs
HG10.130/C	1277773CP	Nozzle 0,8mm HCP	10pcs	HG10.134/C	1277779CP	Nozzle 1,7mm HCP	10pcs
HG10.131	1277771	Nozzle 1,0mm	10pcs	HG10.135	1277780	Nozzle 2,0mm	10pcs
HG10.131/C	1277771CP	Nozzle 1,0mm HCP	10pcs	HG10.135/C	1277780CP	Nozzle 2,0mm HCP	10pcs
HG10.132	1277774	Nozzle 1,2mm	10pcs	HG10.136	1277781	Nozzle 2,3mm	10pcs
HG10.132/C	1277774CP	Nozzle 1,2mm HCP	10pcs	HG10.136/C	1277781CP	Nozzle 2,3mm HCP	10pcs
HG10.133	1277776	Nozzle 1,4 mm	10pcs	HG10.137	1277782	Nozzle 2,7mm	10pcs
HG10.133/C	1277776CP	Nozzle 1,4mm HCP	10pcs	HG10.137/C	1277782CP	Nozzle 2,7mm HCP	10pcs

TRUMPF® is the Registered Trademark of TRUMPF GmbH + Co. KG.

Last update of this page: 09/09/2013. See Revision history for details.

THERMACUT®
THE CUTTING COMPANY

WWW.THERMACUT.CZ
TEL.: +420 556 423 418
SALES@THERMACUT.CZ

WWW.THERMACUT.DE
TEL.: +49 (0) 27 39 40 33 0
INFO@THERMACUT.DE

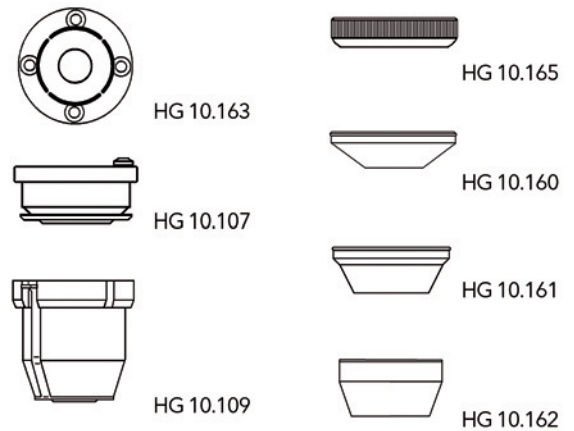
WWW.THERMACUT.COM
TEL.: 1-603-542-6715
CUSTOMERSERVICE@THERMACUT.COM

THERMACUT IS IN NO WAY AFFILIATED WITH THE ABOVE-NAMED MANUFACTURERS. REFERENCES TO THE ABOVE-NAMED MACHINES, TORCHES, CONSUMABLES AND REFERENCE NUMBERS ARE FOR CONVENIENCE ONLY. MOST THERMACUT PARTS ARE MADE FOR OR BY AN IBG COMPANY. PARTS INDICATED WITH A * ARE ORIGINAL PARTS MANUFACTURED BY THE ABOVE NAMED MANUFACTURER AND ARE BEING RESOLD BY THERMACUT. THERMACUT RESERVES THE RIGHT TO SUBSTITUTE OEM PARTS IN PLACE OF THERMACUT PARTS. VALID FROM MAY 2015 • PREVIOUS VERSION IS NO LONGER VALID. • © COPYRIGHT 2015 BY THERMACUT® CZECH REPUBLIC. ALL RIGHTS RESERVED.

REPLACEMENT PARTS SUITABLE FOR TRUMPF®

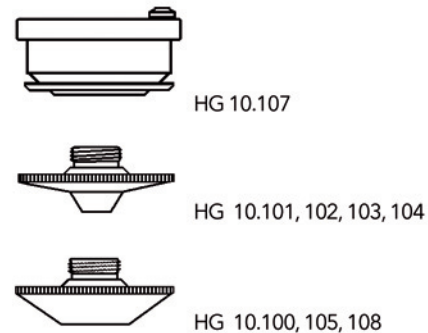
PARTS FOR TRUMATIC® L2530®, L3030®, L3050®, L4030®, 6000L®, L6030®, L2503E®, L3003E®, L4003E®, TC 600L®

Part No.	Ref. No.	Description	Std. Pkg.
HG10.163	234485	Break away bar	1 pc
HG10.107	0258809	Ceramic nozzle holder (Lasermatic)	1 pc
HG10.109	0260432	Ceramic nozzle holder DIAS III	1 pc
HG10.165	216066	Locking nut	1 pc
HG10.160	0225286	PTFE cover white (Lasermatic)	1 pc
HG10.161	254496	PTFE cover white	1 pc
HG10.162	256153	PTFE cover DIAS III white	1 pc
HG10.162/1	0955826	PTFE cover DIAS III black	1 pc



PARTS FOR TRUMPF® LASER L1003®, L2503®, L3003®, L4003®

Part No.	Ref. No.	Description	Std. Pkg.
HG10.107	0258809	Ceramic nozzle holder (Lasermatic)	1 pc
HG10.100	215780	Nozzle 0,8mm	10 pcs
HG10.101	087658	Nozzle 1,0mm	10 pcs
HG10.102	088894	Nozzle 1,4mm high pressure	10 pcs
HG10.103	217867	Nozzle 1,7mm high pressure	10 pcs
HG10.104	088893	Nozzle 1,5mm	10 pcs
HG10.105	221781	Nozzle 2,0mm	10 pcs
HG10.108	235592	Nozzle 3,0mm	10 pcs
HG10.112	216065	PTFE cover white	1 pc



PolyTetraFluoroEthylene is a fluorocarbon-based polymer and is commonly abbreviated PTFE. The Teflon® brand of PTFE is manufactured only by DuPont and is not sold by Thermacut. Thermacut purchases other brands of PTFE from various high quality manufacturers.

TRUMPF® is the Registered Trademark of TRUMPF GmbH + Co. KG.

Last update of this page: 05/11/2014. See Revision history for details.

THERMACUT®
THE CUTTING COMPANY

WWW.THERMACUT.CZ
TEL.: +420 556 423 418
SALES@THERMACUT.CZ

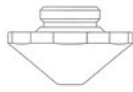
WWW.THERMACUT.DE
TEL.: +49 (0) 27 39 40 33 0
INFO@THERMACUT.DE

WWW.THERMACUT.COM
TEL.: 1-603-542-6715
CUSTOMERSERVICE@THERMACUT.COM

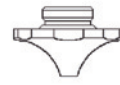
THERMACUT IS IN NO WAY AFFILIATED WITH THE ABOVE-NAMED MANUFACTURERS. REFERENCES TO THE ABOVE-NAMED MACHINES, TORCHES, CONSUMABLES AND REFERENCE NUMBERS ARE FOR CONVENIENCE ONLY. MOST THERMACUT PARTS ARE MADE FOR OR BY AN IBG COMPANY. PARTS INDICATED WITH A * ARE ORIGINAL PARTS MANUFACTURED BY THE ABOVE NAMED MANUFACTURER AND ARE BEING RESOLD BY THERMACUT. THERMACUT RESERVES THE RIGHT TO SUBSTITUTE OEM PARTS IN PLACE OF THERMACUT PARTS. VALID FROM MAY 2015 • PREVIOUS VERSION IS NO LONGER VALID. • © COPYRIGHT 2015 BY THERMACUT® CZECH REPUBLIC. ALL RIGHTS RESERVED.

REPLACEMENT PARTS SUITABLE FOR TRUMPF®

PARTS FOR TRUMPF® TRULASER® 5030, 5040 AND 5060 (6/7 KW LASER)



HG 10.060-067



HG 10.070-077

Part No.	Ref. No.	Description	Std. Pkg.
HG10.060	1324858	Nozzle EAA 0,8mm	10pcs
HG10.061	1324860	Nozzle EAA 1,0mm	10pcs
HG10.062	1324861	Nozzle EAA 1,2mm	10pcs
HG10.063	1324863	Nozzle EAA 1,4mm	10pcs
HG10.064	1324864	Nozzle EAA 1,7mm	10pcs
HG10.065	1324865	Nozzle EAA 2,0mm	10pcs
HG10.066	1324866	Nozzle EAA 2,3mm	10pcs
HG10.067	1324867	Nozzle EAA 2,7mm	10pcs

Part No.	Ref. No.	Description	Std. Pkg.
HG10.070	1373324	Nozzle EAB 0,8mm	10pcs
HG10.071	1373325	Nozzle EAB 1,0mm	10pcs
HG10.072	1373326	Nozzle EAB 1,2mm	10pcs
HG10.073	1373327	Nozzle EAB 1,4mm	10pcs
HG10.074	1373328	Nozzle EAB 1,7mm	10pcs
HG10.075	1373329	Nozzle EAB 2,0mm	10pcs
HG10.076	1373330	Nozzle EAB 2,3mm	10pcs
HG10.077	1373331	Nozzle EAB 2,7mm	10pcs

PARTS FOR TRUMPF® LASER TLC 105



HG 10.010



HG 10.019



HG 10.013

Part No.	Ref. No.	Description	Std. Pkg.
HG10.036	1354230	Nozzle 0,8mm	10pcs
HG10.036/C	1354230CP	Nozzle 0,8mm HCP	10pcs
HG10.010	0212334	Nozzle 1,0mm	10pcs
HG10.010/C	0212334CP	Nozzle 1,0mm HCP	10pcs
HG10.025	HG10.025	Nozzle 1,0mm HD	10pcs
HG10.025/C	HG10.025CP	Nozzle 1,0mm HD HCP	10pcs
HG10.011	0216199	Nozzle 1,4mm HD	10pcs
HG10.011/C	0216199CP	Nozzle 1,4mm HD HCP	10pcs
HG10.012	0225213	Nozzle 1,7mm HD	10pcs
HG10.012/C	0225213CP	Nozzle 1,7mm HD HCP	10pcs
HG10.028	0126156	Nozzle 2,3mm HD	10pcs
HG10.028/C	0126156CP	Nozzle 2,3mm HD HCP	10pcs
HG10.019	237364	Shower nozzle 1,0mm	1pc

Part No.	Ref. No.	Description	Std. Pkg.
HG16.600	HG16.600	Nozzle 0,8mm	10pcs
HG10.013	226939	Nozzle 1,0mm	10pcs
HG10.013/C	226939CP	Nozzle 1,0mm HCP	10pcs
HG10.026	HG10.026	Nozzle 1,0mm HD	10pcs
HG10.026/C	HG10.026CP	Nozzle 1,0mm HD HCP	10pcs
HG10.014	226940	Nozzle 1,4mm HD	10pcs
HG10.014/C	226940CP	Nozzle 1,4mm HD HCP	10pcs
HG10.015	227144	Nozzle 1,7mm HD	10pcs
HG10.015/C	227144CP	Nozzle 1,7mm HD HCP	10pcs
HG10.029	HG10.029	Nozzle 2,3mm HD	10pcs
HG10.029/C	HG10.029CP	Nozzle 2,3mm HD HCP	10pcs
HG10.033	HG10.033	Nozzle 2,0mm HD	10pcs

TRUMPF® is the Registered Trademark of TRUMPF GmbH + Co. KG.

Last update of this page: 04/02/2015. See Revision history for details.

THERMACUT®
THE CUTTING COMPANY

WWW.THERMACUT.CZ
TEL.: +420 556 423 418
SALES@THERMACUT.CZ

WWW.THERMACUT.DE
TEL.: +49 (0) 27 39 40 33 0
INFO@THERMACUT.DE

WWW.THERMACUT.COM
TEL.: 1-603-542-6715
CUSTOMERSERVICE@THERMACUT.COM

THERMACUT IS IN NO WAY AFFILIATED WITH THE ABOVE-NAMED MANUFACTURERS. REFERENCES TO THE ABOVE-NAMED MACHINES, TORCHES, CONSUMABLES AND REFERENCE NUMBERS ARE FOR CONVENIENCE ONLY. MOST THERMACUT PARTS ARE MADE FOR OR BY AN IBG COMPANY. PARTS INDICATED WITH A * ARE ORIGINAL PARTS MANUFACTURED BY THE ABOVE NAMED MANUFACTURER AND ARE BEING RESOLD BY THERMACUT. THERMACUT RESERVES THE RIGHT TO SUBSTITUTE OEM PARTS IN PLACE OF THERMACUT PARTS. VALID FROM MAY 2015 • PREVIOUS VERSION IS NO LONGER VALID. • © COPYRIGHT 2015 BY THERMACUT® CZECH REPUBLIC. ALL RIGHTS RESERVED.

REPLACEMENT PARTS SUITABLE FOR TRUMPF®

PARTS FOR TRUMPF® LASER TLC 105



HG 10.016-018, 030



HG 10.220-226

Part No.	Ref. No.	Description	Std. Pkg.
HG10.016	HG10.016	Nozzle 1,0mm	10pcs
HG10.016/C	HG10.016CP	Nozzle 1,0mm HCP	10pcs
HG10.017	HG10.017	Nozzle 1,4mm HD	10pcs
HG10.017/C	HG10.017CP	Nozzle 1,4mm HD HCP	10pcs
HG10.018	HG10.018	Nozzle 1,7mm HD	10pcs
HG10.018/C	HG10.018CP	Nozzle 1,7mm HD HCP	10pcs
HG10.030	HG10.030	Nozzle 2,3mm HD	10pcs
HG10.030/C	HG10.030CP	Nozzle 2,3mm HD HCP	10pcs
HG10.008	HG10.008	Teach nozzle 0,25mm RE	1pc

Part No.	Ref. No.	Description	Std. Pkg.
HG10.225	0135320	Nozzle 1,0mm RE	10pcs
HG10.225CP	0135320CP	Nozzle 1,0mm RE HCP	10pcs
HG10.226	HG10.226	Nozzle 1,2mm RE	10pcs
HG10.226CP	HG10.226/C	Nozzle 1,2mm RE HCP	10pcs
HG10.220	0135318	Nozzle 1,4mm RE	10pcs
HG10.220CP	0135318CP	Nozzle 1,4mm RE HCP	10pcs
HG10.221	0126157	Nozzle 1,7mm RE	10pcs
HG10.221CP	0126157CP	Nozzle 1,7mm RE HCP	10pcs

PARTS FOR TRUMPF® LASER TLC 1005



HG 10.006-024

Part No.	Ref. No.	Description	Std. Pkg.	Part No.	Ref. No.	Description	Std. Pkg.
HG10.006	0958206	Teach nozzle 0,25mm	1pc	HG10.022/C	0913801CP	Nozzle 1,4mm HD HCP	10pcs
HG10.020	0913799	Nozzle 0,8mm HD	10pcs	HG10.023	0937988	Nozzle 1,7mm HD	10pcs
HG10.020/C	0913799CP	Nozzle 0,8mm HD HCP	10pcs	HG10.023/C	0937988CP	Nozzle 1,7mm HD HCP	10pcs
HG10.021	0913800	Nozzle 1,0mm HD	10pcs	HG10.024	0937989	Nozzle 2,3mm HD	10pcs
HG10.021/C	0913800CP	Nozzle 1,0mm HD HCP	10pcs	HG10.024/C	0937989CP	Nozzle 2,3mm HD HCP	10pcs
HG10.022	0913801	Nozzle 1,4mm HD	10pcs				

TRUMPF® is the Registered Trademark of TRUMPF GmbH + Co. KG.

Last update of this page: 24/09/2013. See Revision history for details.

THERMACUT®
THE CUTTING COMPANY

WWW.THERMACUT.CZ
TEL.: +420 556 423 418
SALES@THERMACUT.CZ

WWW.THERMACUT.DE
TEL.: +49 (0) 27 39 40 33 0
INFO@THERMACUT.DE

WWW.THERMACUT.COM
TEL.: 1-603-542-6715
CUSTOMERSERVICE@THERMACUT.COM

THERMACUT IS IN NO WAY AFFILIATED WITH THE ABOVE-NAMED MANUFACTURERS. REFERENCES TO THE ABOVE-NAMED MACHINES, TORCHES, CONSUMABLES AND REFERENCE NUMBERS ARE FOR CONVENIENCE ONLY. MOST THERMACUT PARTS ARE MADE FOR OR BY AN IBG COMPANY. PARTS INDICATED WITH A * ARE ORIGINAL PARTS MANUFACTURED BY THE ABOVE NAMED MANUFACTURER AND ARE BEING RESOLD BY THERMACUT. THERMACUT RESERVES THE RIGHT TO SUBSTITUTE OEM PARTS IN PLACE OF THERMACUT PARTS. VALID FROM MAY 2015 • PREVIOUS VERSION IS NO LONGER VALID. • © COPYRIGHT 2015 BY THERMACUT® CZECH REPUBLIC. ALL RIGHTS RESERVED.

REPLACEMENT PARTS SUITABLE FOR TRUMPF®

LENSES SUITABLE FOR TRUMPF®

Part No.	Ref. no.	Description	Std. Pkg.	Part No.	Ref. no.	Description	Std. Pkg.
HG10.166/H	346104	3,75" ZnSe Meniscus lens High pressure lens (29bar), 38,1mm Effective focal length: 95,3mm Edge thickness: 7,4mm AR/AR for 10,6um (absorption <0.20%)	1pc	HG10.167/HU	88114	5,00" ZnSe Meniscus lens - ULTRA LOW High pressure lens (29bar), 38,1mm Effective focal length: 127,0mm Edge thickness: 7,4mm AR/AR for 10,6um (absorption <0.12%)	1pc
HG10.167/H	88114	5,00" ZnSe Meniscus lens High pressure lens (29bar), 38,1mm Effective focal length: 127,0mm Edge thickness: 7,4mm AR/AR for 10,6um (absorption <0.20%)	1pc	HG10.168/HU	97517	7,50" ZnSe Meniscus lens - ULTRA LOW High pressure lens (29bar), 38,1mm Effective focal length: 190,5mm Edge thickness: 7,4mm AR/AR for 10,6um (absorption <0.12%)	1pc
HG10.168/H	97517	7,50" ZnSe Meniscus lens High pressure lens (29bar), 38,1mm Effective focal length: 190,5mm Edge thickness: 7,4mm AR/AR for 10,6um (absorption <0.20%)	1pc	HG10.169/HU	141972	9,00" ZnSe Meniscus lens - ULTRA LOW High pressure lens (29bar), 38,1mm Effective focal length: 225,0mm Edge thickness: 7,4mm AR/AR for 10,6um (absorption <0.12%)	
HG10.169/H	141972	9,00" ZnSe Meniscus lens High pressure lens (29bar), 38,1mm Effective focal length: 225,0mm Edge thickness: 7,4mm AR/AR for 10,6um (absorption <0.20%)	1pc	HG10.179/HU	350163	10,00" ZnSe Meniscus lens - ULTRA LOW High pressure lens (29bar), 38,1mm Effective focal length: 254,0mm Edge thickness: 7,4mm AR/AR for 10,6um (absorption <0.12%)	
HG10.179/H	350163	10,00" ZnSe Meniscus lens High pressure lens (29bar), 38,1mm Effective focal length: 254,0mm Edge thickness: 7,4mm AR/AR for 10,6um (absorption <0.20%)	1pc				

ACCESSORIES SUITABLE FOR TRUMPF®

Part No.	Ref. No.	Description	Std. Pkg.
HG10.174	HG10.174	Polish for laser optics, 100ml	1pc
HG10.173	HG10.173	Lens cleaning paper from Tiffen, sheet size 70x115mm	50pcs
HG15.136	HG15.136	Latex gloves	100pcs
HG15.138	HG15.138	EM-080 general purpose cleaning concentrate, 500ml	1pc
HG15.099	HG15.099	Cleaning holder (PTFE) for lenses (to use on both sides), 38,1 mm or 50,8mm	1pc

PolyTetraFluoroEthylene is a fluorocarbon-based polymer and is commonly abbreviated PTFE. The Teflon® brand of PTFE is manufactured only by DuPont and is not sold by Thermacut. Thermacut purchases other brands of PTFE from various high quality manufacturers.

TRUMPF® is the Registered Trademark of TRUMPF GmbH + Co. KG.

Last update of this page: 30/01/2015. See Revision history for details.

THERMACUT®
THE CUTTING COMPANY

WWW.THERMACUT.CZ
TEL.: +420 556 423 418
SALES@THERMACUT.CZ

WWW.THERMACUT.DE
TEL.: +49 (0) 27 39 40 33 0
INFO@THERMACUT.DE

WWW.THERMACUT.COM
TEL.: 1-603-542-6715
CUSTOMERSERVICE@THERMACUT.COM

THERMACUT IS IN NO WAY AFFILIATED WITH THE ABOVE-NAMED MANUFACTURERS. REFERENCES TO THE ABOVE-NAMED MACHINES, TORCHES, CONSUMABLES AND REFERENCE NUMBERS ARE FOR CONVENIENCE ONLY. MOST THERMACUT PARTS ARE MADE FOR OR BY AN IBG COMPANY. PARTS INDICATED WITH A * ARE ORIGINAL PARTS MANUFACTURED BY THE ABOVE NAMED MANUFACTURER AND ARE BEING RESOLD BY THERMACUT. THERMACUT RESERVES THE RIGHT TO SUBSTITUTE OEM PARTS IN PLACE OF THERMACUT PARTS. VALID FROM MAY 2015 • PREVIOUS VERSION IS NO LONGER VALID. • © COPYRIGHT 2015 BY THERMACUT® CZECH REPUBLIC. ALL RIGHTS RESERVED.

REPLACEMENT PARTS SUITABLE FOR TRUMPF®

SERVICE ITEMS AND SPARE PARTS SUITABLE FOR TRUMPF®

BELLOWS SUITABLE FOR TRUMPF® TC L3030 and L3020

Part No.	Ref. No.	Description	Std. Pkg.
HG17.100	921742	Bellow x-axis	1 pc
HG17.101	141394	Bellow y-axis	1 pc
HG17.102	1667790	Chest bellow x-axis front (old No. 920715)	1 pc
HG17.103	1667803	Chest bellow x-axis rear (old No. 9390015)	1 pc
HG17.104	1667801	Chest bellow y-axis right (old No. 920716)	1 pc
HG17.105	1667805	Chest bellow y-axis left (old No. 939016)	1 pc
HG17.106	910354	Chest bellow z-axis	1 pc

BELLOWS SUITABLE FOR TRUMPF® TC L4030

Part No.	Ref. No.	Description	Std. Pkg.
HG17.110	921870	Bellow x-axis	1 pc
HG17.111	144949	Bellow y-axis	1 pc
HG17.112	939017	Chest bellow x-axis rear	1 pc
HG17.113	976624	Chest bellow x-axis front	1 pc
HG17.115	920719	Chest bellow y-axis right	1 pc
HG17.116	938000	Chest bellow y-axis left	1 pc
HG17.106	910354	Chest bellow z-axis	1 pc

BELLOWS SUITABLE FOR TRUMPF® TC L3050

Part No.	Ref. No.	Description	Std. Pkg.
HG17.122	1302020	Bellow x-axis front and middle left (altern. No. 981757/1596087)	1 pc
HG17.123	981710	Bellow x-axis front and rear right	1 pc
HG17.124	1307207	Bellow x-axis front and rear right (altern. No. 1596086)	1 pc
HG17.125	1302018	Bellow x-axis rear left (Altern. No. 981756/1596088)	1 pc
HG17.126	1226193	Bellow x-axis right	1 pc
HG17.127	1302386	Bellow u-axis front and rear (Altern. No. 981753)	1 pc
HG17.128	979561	Bellow z-axis rear	1 pc
HG17.129	1261298	Bellow z-axis front	1 pc
HG17.119	1226192	Disc bellow y-axis left (Altern. No. 1353514)	1 pc
HG17.120	1271514	Chest bellow u/x-axis front and rear (Altern. No. 978079)	1 pc
HG17.106	910354	Chest bellow z-axis	1 pc

TRUMPF® is the Registered Trademark of TRUMPF GmbH + Co. KG.

Last update of this page: 27/02/2015. See Revision history for details.

THERMACUT®
THE CUTTING COMPANY

WWW.THERMACUT.CZ
TEL.: +420 556 423 418
SALES@THERMACUT.CZ

WWW.THERMACUT.DE
TEL.: +49 (0) 27 39 40 33 0
INFO@THERMACUT.DE

WWW.THERMACUT.COM
TEL.: 1-603-542-6715
CUSTOMERSERVICE@THERMACUT.COM

THERMACUT IS IN NO WAY AFFILIATED WITH THE ABOVE-NAMED MANUFACTURERS. REFERENCES TO THE ABOVE-NAMED MACHINES, TORCHES, CONSUMABLES AND REFERENCE NUMBERS ARE FOR CONVENIENCE ONLY. MOST THERMACUT PARTS ARE MADE FOR OR BY AN IBG COMPANY. PARTS INDICATED WITH A * ARE ORIGINAL PARTS MANUFACTURED BY THE ABOVE NAMED MANUFACTURER AND ARE BEING RESOLD BY THERMACUT. THERMACUT RESERVES THE RIGHT TO SUBSTITUTE OEM PARTS IN PLACE OF THERMACUT PARTS. VALID FROM MAY 2015 • PREVIOUS VERSION IS NO LONGER VALID. • © COPYRIGHT 2015 BY THERMACUT® CZECH REPUBLIC. ALL RIGHTS RESERVED.

REPLACEMENT PARTS SUITABLE FOR TRUMPF®

SERVICE ITEMS AND SPARE PARTS SUITABLE FOR TRUMPF®

BELLOWS SUITABLE FOR TRUMPF® TC L4050

Part No.	Ref. No.	Description	Std. Pkg.
HG17.140	1222529	Bellow x-axis front and middle left	1 pc
HG17.141	1222573	Bellow x-axis front and rear right	1 pc
HG17.142	1222571	Bellow x-axis rear left	1 pc
HG17.143	1222111	Bellow y-axis right	1 pc
HG17.144	1222528	Bellow u-axis front and rear	1 pc
HG17.128	979561	Bellow z-axis rear	1 pc
HG17.129	1261298	Bellow z-axis front	1 pc
HG17.146	1222575	Disc bellow x-axis left	1 pc
HG17.147	1222576	Disc bellow x-axis right	1 pc
HG17.148	1222110	Disk bellow y-axis left	1 pc
HG17.106	910354	Chest bellow z-axis	1 pc

FILTER ELEMENTS SUITABLE FOR TRUMPF®

Part No.	Ref. No.	Description	Std. Pkg.
HG17.130	146152	Chisso filter CP10 for water circuit 30x68x248mm	1 pc
HG17.131	123674 / 377006	Filter element Air/N2	1 pc
HG17.132	123675 / 377005	Filter element FFP3	1 pc
HG17.133	123676 / 377004	Filter element AKP 04/20S	1 pc
HG17.134	365781	Filter MPF 04/10	1 pc
HG17.135	365782	Filter SMPF 04/10	1 pc
HG17.020	941996 / 0149023	Circuit lubricated rotary valve – Vacuum pump – original HYCO	1 pc
HG17.000	0345064	Filter panel suitable for extraction unit 556x74x1050mm, H13 suitable for TCL 3030, 4050, 6050, 4030, 6030, 3020, 3050	1 pc
HG17.001	0139809	Filter panel suitable for extraction unit 500x600mm, H13 suitable for TUBEMATIC, TC600L, TC6000L	1 pc
HG17.002	146122342682	Filter panel suitable for extraction unit (horizontal)	1 pc

COOLING SYSTEM ADDITIVES SUITABLE FOR TRUMPF®

Part No.	Ref. No.	Description	Std. Pkg.
HG17.040	370000	Easy kit STANDARD (original NALCO) - 32 bottles, sufficient for 4 complete water changes. ST40, Laser biocide, CU inhibitor, AL inhibitor	1 pc
HG17.041	HG17.041	Stabrex / Sanitizer ST40 - 20ml	1 pc
HG17.042	HG17.042	Laser biocide – 30ml	1 pc
HG17.043	HG17.043	Copper inhibitor 73199 – 30ml	1 pc
HG17.044	HG17.044	Aluminium inhibitor 2513 – 30ml	1 pc
HG17.050	1652995	Easy kit NEW – for copper cooling circuit (inhibitor and cleaning agent) with tank capacity 15-49l	1 pc
HG17.051	1653112	Easy kit NEW – for copper cooling circuit (inhibitor and cleaning agent) with tank capacity 50-119l	1 pc
HG17.052	1652630	Easy kit NEW – for aluminium cooling circuit (inhibitor and cleaning agent) with tank capacity 80-199l	1 pc
HG17.053	1652605	Easy kit NEW – for aluminium cooling circuit (inhibitor and cleaning agent) with tank capacity 200-599l	1 pc
HG17.045	344899	Stabrex / Sanitizer ST40 – 100ml	1 pc
HG17.046	344670	Laser biocide 2594 – 125ml	1 pc
HG17.047	356502	Copper inhibitor 73199 – 125ml	1 pc
HG17.048	357079	Aluminium inhibitor 2513 – 125ml	1 pc

TRUMPF® is the Registered Trademark of TRUMPF GmbH + Co. KG.

Last update of this page: 18/05/2015. See Revision history for details.

THERMACUT®
THE CUTTING COMPANY

WWW.THERMACUT.CZ
TEL.: +420 556 423 418
SALES@THERMACUT.CZ

WWW.THERMACUT.DE
TEL.: +49 (0) 27 39 40 33 0
INFO@THERMACUT.DE

WWW.THERMACUT.COM
TEL.: 1-603-542-6715
CUSTOMERSERVICE@THERMACUT.COM

THERMACUT IS IN NO WAY AFFILIATED WITH THE ABOVE-NAMED MANUFACTURERS. REFERENCES TO THE ABOVE-NAMED MACHINES, TORCHES, CONSUMABLES AND REFERENCE NUMBERS ARE FOR CONVENIENCE ONLY. MOST THERMACUT PARTS ARE MADE FOR OR BY AN IBG COMPANY. PARTS INDICATED WITH A * ARE ORIGINAL PARTS MANUFACTURED BY THE ABOVE NAMED MANUFACTURER AND ARE BEING RESOLD BY THERMACUT. THERMACUT RESERVES THE RIGHT TO SUBSTITUTE OEM PARTS IN PLACE OF THERMACUT PARTS. VALID FROM MAY 2015 • PREVIOUS VERSION IS NO LONGER VALID. • © COPYRIGHT 2015 BY THERMACUT® CZECH REPUBLIC. ALL RIGHTS RESERVED.

REPLACEMENT PARTS SUITABLE FOR TRUMPF®

AIR FILTERS SUITABLE FOR TRUMPF®

Part No.	Ref. No.	Description	Std. Pkg.	Part No.	Ref. No.	Description	Std. Pkg.
HG10.178	HG10.178	Air filter for cooling aggregate size: 2420 x 550 x 8mm	25pcs	HG10.190	HG10.190	Air filter for cooling aggregate size: 1200 x 700 x 8mm	25pcs
HG10.187	HG10.187	Air filter for cooling aggregate size: 1520 x 755 x 8mm	25pcs	HG10.191	HG10.191	Air filter for cooling aggregate size: 990 x 890 x 8mm	25pcs
HG10.188	HG10.188	Air filter for cooling aggregate size: 1670 x 660 x 8mm	25pcs	HG11.175	HG11.175	Air filter for cooling aggregate size: 670 x 1200 x 8mm	25pcs
HG11.188	HG11.188	Air filter for cooling aggregate size: 1670 x 620 x 8mm	25pcs	HG11.178	HG11.178	Air filter for cooling aggregate size: 2500 x 1710 x 8mm	5pcs
HG10.189	HG10.189	Air filter for cooling aggregate size: 2420 x 560 x 8mm	25pcs	HG11.187	HG11.187	Air filter for cooling aggregate size 1530 x 1530 x 8mm	5pcs
HG11.174	HG11.174	Air filter for cooling aggregate size: 3000 x 1800 x 8mm	5pcs	HG10.176	HG10.176	Air filter for cooling aggregate size: 800 x 600 x 8mm	25pcs

TRUMPF® is the Registered Trademark of TRUMPF GmbH + Co. KG.

Last update of this page: 09/09/2013. See Revision history for details.

THERMACUT®
THE CUTTING COMPANY

WWW.THERMACUT.CZ
TEL.: +420 556 423 418
SALES@THERMACUT.CZ

WWW.THERMACUT.DE
TEL.: +49 (0) 27 39 40 33 0
INFO@THERMACUT.DE

WWW.THERMACUT.COM
TEL.: 1-603-542-6715
CUSTOMERSERVICE@THERMACUT.COM

THERMACUT IS IN NO WAY AFFILIATED WITH THE ABOVE-NAMED MANUFACTURERS. REFERENCES TO THE ABOVE-NAMED MACHINES, TORCHES, CONSUMABLES AND REFERENCE NUMBERS ARE FOR CONVENIENCE ONLY. MOST THERMACUT PARTS ARE MADE FOR OR BY AN IBG COMPANY. PARTS INDICATED WITH A * ARE ORIGINAL PARTS MANUFACTURED BY THE ABOVE NAMED MANUFACTURER AND ARE BEING RESOLD BY THERMACUT. THERMACUT RESERVES THE RIGHT TO SUBSTITUTE OEM PARTS IN PLACE OF THERMACUT PARTS. VALID FROM MAY 2015 • PREVIOUS VERSION IS NO LONGER VALID. • © COPYRIGHT 2015 BY THERMACUT® CZECH REPUBLIC. ALL RIGHTS RESERVED.