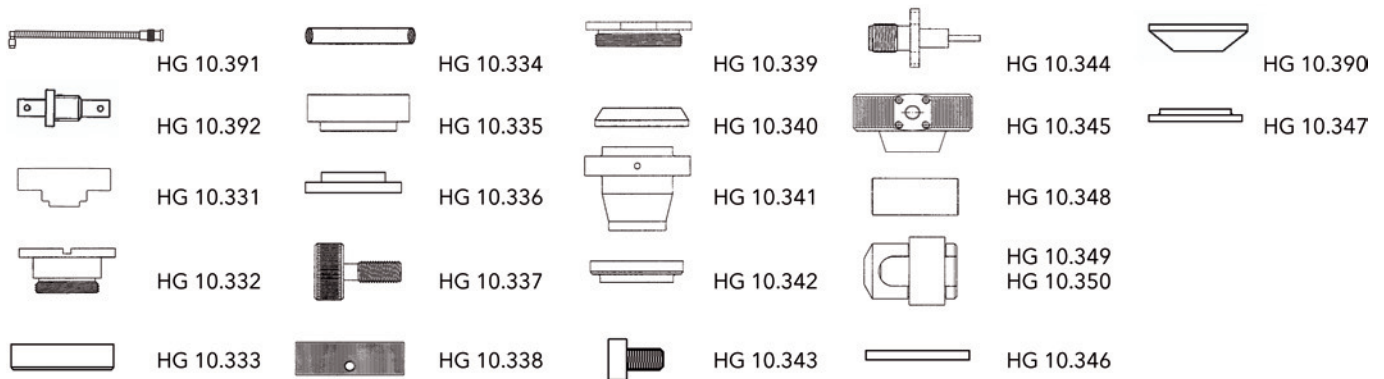


REPLACEMENT PARTS SUITABLE FOR MAZAK®

MAZAK® XT510 HI-PRO, NTX48, TURBO 10KW, SUPER TURBO 15KW,
SUPER TURBO HI-PRO 20KW, SUPER TURBO X510 HI-PRO



Part No.	Ref. No.	Description	Std. Pkg.	Part No.	Ref. No.	Description	Std. Pkg.
HG10.330	HG10.330	Complete nozzle holder	1 pc	HG10.342	46683301130	PTFE spacer 24 x 4mm	1 pc
HG10.391	46683301980	Connecting cable for sensor head	1 pc	HG10.345	46683301140	Housing	1 pc
HG10.392	46683301400	Cable adapter	1 pc	HG10.344	46683301170	Connector	1 pc
HG10.331	46683301230	Plate	1 pc	HG10.343	46683300000	Screw M2,5 x 4mm	1 pc
HG10.332	46683301110	Bracket	1 pc	HG10.348	46683301850	PTFE fastener	1 pc
HG10.333	46683301080	PTFE spacer 27 x 5,5mm	1 pc	HG10.349	46683301860	Cable holder	1 pc
HG10.334	46603350001	O-Ring 31 x 2mm	1 pc	HG10.350	46683301870	Cover	1 pc
HG10.335	46683301070	Base	1 pc	HG10.346	46683301150	PTFE spacer 17 x 1,5mm	1 pc
HG10.336	46683301090	PTFE spacer 30 x 4mm	1 pc	HG10.390	46683301930	PTFE spacer	1 pc
HG10.337	46683300032	Screw M5 x 0,5mm	1 pc	HG10.347	46683301160	Ring	1 pc
HG10.338	46683300930	Ring	1 pc	HG10.353	HG10.353	Complete nozzle holder	1 pc
HG10.339	46683301100	Bracket	1 pc	HG10.355	46523300080	Base	1 pc
HG10.340	46683301120	PTFE spacer 24 x 3mm	1 pc	HG10.304	46603350510	Nozzle-adapter	1 pc
HG10.341	46683300850	Nozzle holder	1 pc	HG10.311	46683300030	Retainer	1 pc



HG 10.650-659



HG 10.650/C-659/C

Standard copper nozzles / Standard copper nozzles with hard chromium plating

Part No.	Ref. No.	Description	Std. Pkg.	Part No.	Ref. No.	Description	Std. Pkg.
HG10.650	46683301950-0.8	Nozzle 0,8 mm	10 pcs	HG10.650/C	46683301950-08CP	Nozzle 0,8 mm HCP	10 pcs
HG10.651	46683301950-1.0	Nozzle 1,0 mm	10 pcs	HG10.651/C	4668330195010CP	Nozzle 1,0 mm HCP	10 pcs
HG10.652	46683301950-1.2	Nozzle 1,2 mm	10 pcs	HG10.652/C	4668330195012CP	Nozzle 1,2 mm HCP	10 pcs
HG10.653	46683301950	Nozzle 1,5 mm	10 pcs	HG10.653/C	46683301950CP	Nozzle 1,5 mm HCP	10 pcs
HG10.654	46683301821	Nozzle 2,0 mm	10 pcs	HG10.654/C	46683301821CP	Nozzle 2,0 mm HCP	10 pcs
HG10.655	46683301821-2.2	Nozzle 2,2 mm	10 pcs	HG10.655/C	4668330182122CP	Nozzle 2,2 mm HCP	10 pcs
HG10.656	46683301960	Nozzle 2,5 mm	10 pcs	HG10.656/C	46683301960CP	Nozzle 2,5 mm HCP	10 pcs
HG10.657	46683301970	Nozzle 3,0 mm	10 pcs	HG10.657/C	46683301970CP	Nozzle 3,0 mm HCP	10 pcs
HG10.658	HG10.658	Nozzle 3,5 mm	10 pcs	HG10.658/C	HG10.658CP	Nozzle 3,5 mm HCP	10 pcs
HG10.659	HG10.659	Nozzle 4,0 mm	10 pcs	HG10.659/C	HG10.659CP	Nozzle 4,0 mm HCP	10 pcs

PolyTetraFluoroEthylene is a fluorocarbon-based polymer and is commonly abbreviated PTFE. The Teflon® brand of PTFE is manufactured only by DuPont and is not sold by Thermacut. Thermacut purchases other brands of PTFE from various high quality manufacturers.

MAZAK® is the Registered Trademark of MAZAK OPTONICS CORP.

Last update of this page: 17/04/2014. See Revision history for details.

THERMACUT®
THE CUTTING COMPANY

WWW.THERMACUT.CZ
TEL.: +420 556 423 418
SALES@THERMACUT.CZ

WWW.THERMACUT.DE
TEL.: +49 (0) 27 39 40 33 0
INFO@THERMACUT.DE

WWW.THERMACUT.COM
TEL.: 1-603-542-6715
CUSTOMERSERVICE@THERMACUT.COM

THERMACUT IS IN NO WAY AFFILIATED WITH THE ABOVE-NAMED MANUFACTURERS. REFERENCES TO THE ABOVE-NAMED MACHINES, TORCHES, CONSUMABLES AND REFERENCE NUMBERS ARE FOR CONVENIENCE ONLY. MOST THERMACUT PARTS ARE MADE FOR OR BY AN IBG COMPANY. PARTS INDICATED WITH A * ARE ORIGINAL PARTS MANUFACTURED BY THE ABOVE NAMED MANUFACTURER AND ARE BEING RESOLD BY THERMACUT. THERMACUT RESERVES THE RIGHT TO SUBSTITUTE OEM PARTS IN PLACE OF THERMACUT PARTS. VALID FROM MAY 2015 • PREVIOUS VERSION IS NO LONGER VALID. • © COPYRIGHT 2015 BY THERMACUT® CZECH REPUBLIC. ALL RIGHTS RESERVED.

REPLACEMENT PARTS SUITABLE FOR MAZAK®

MAZAK® LASER CNC L32 PLUS SUPER CHARGE, XT510, NTX48, TURBO 10KW, SUPER TURBO 15KW,
SUPER TURBO 20KW HI-PRO, SUPER TURBO X510 HI-PRO



HG 10.660



HG 10.660/C - 666/C

Double copper nozzles / Double copper nozzles with hard chromium plating

Part No.	Ref. No.	Description	Std. Pkg.	Part No.	Ref. No.	Description	Std. Pkg.
HG10.660	HG10.660	Double-Nozzle 1,0 mm	10 pcs	HG10.660/C	HG10.660CP	Double-Nozzle 1,0 mm HCP	10 pcs
HG10.661	HG10.661	Double-Nozzle 1,2 mm	10 pcs	HG10.661/C	HG10.661CP	Double-Nozzle 1,2 mm HCP	10 pcs
HG10.662	HG10.662	Double-Nozzle 1,5 mm	10 pcs	HG10.662/C	HG10.662CP	Double-Nozzle 1,5 mm HCP	10 pcs
HG10.663	HG10.663	Double-Nozzle 2,0 mm	10 pcs	HG10.663/C	HG10.663CP	Double-Nozzle 2,0 mm HCP	10 pcs
HG10.664	HG10.664	Double-Nozzle 2,2 mm	10 pcs	HG10.664/C	HG10.664CP	Double-Nozzle 2,2 mm HCP	10 pcs
HG10.665	HG10.665	Double-Nozzle 2,5 mm	10 pcs	HG10.665/C	HG10.665CP	Double-Nozzle 2,5 mm HCP	10 pcs
HG10.666	HG10.666	Double-Nozzle 3,0 mm	10 pcs	HG10.666/C	HG10.666CP	Double-Nozzle 3,0 mm HCP	10 pcs



HG 10.323 - 326



HG 10.475 - 482

Adapter copper nozzles / Adapter copper nozzles with hard chromium plating

Part No.	Ref. No.	Description	Std. Pkg.	Part No.	Ref. No.	Description	Std. Pkg.
HG10.323	46603350508K	Adapter nozzle 0,8mm	10 pcs	HG10.323/C	46603350508CPK	Adapter nozzle 0,8mm HCP	10 pcs
HG10.307	46603350511K	Adapter nozzle 1,0mm	10 pcs	HG10.307/C	46603350511CPK	Adapter nozzle 1,0mm HCP	10 pcs
HG10.309	46603350512K	Adapter nozzle 1,2mm	10 pcs	HG10.309/C	46603350512CPK	Adapter nozzle 1,2mm HCP	10 pcs
HG10.310	46603350515K	Adapter nozzle 1,5mm	10 pcs	HG10.310/C	46603350515CPK	Adapter nozzle 1,5mm HCP	10 pcs
HG10.324	46603350517K	Adapter nozzle 1,7mm	10 pcs	HG10.324/C	46603350517CPK	Adapter nozzle 1,7mm HCP	10 pcs
HG10.318	46603350520K	Adapter nozzle 2,0mm	10 pcs	HG10.318/C	46603350520CPK	Adapter nozzle 2,0mm HCP	10 pcs
HG10.308	46603350525K	Adapter nozzle 2,5mm	10 pcs	HG10.308/C	46603350525CPK	Adapter nozzle 2,5mm HCP	10 pcs
HG10.325	46603350530K	Adapter nozzle 3,0mm	10 pcs	HG10.325/C	46603350530CPK	Adapter nozzle 3,0mm HCP	10 pcs
HG10.303	46603350535K	Adapter nozzle 3,5mm	10 pcs	HG10.303/C	46603350535CPK	Adapter nozzle 3,5mm HCP	10 pcs
HG10.326	46603350540K	Adapter nozzle 4,0mm	10 pcs	HG10.326/C	46603350540CPK	Adapter nozzle 4,0mm HCP	10 pcs
HG10.475	46603350508H	Adapter-6-edgenozzle 0,8mm	10 pcs	HG10.475/C	46603350508CPH	Adapter-6-edge nozzle 0,8mm HCP	10 pcs
HG10.476	46603350511H	Adapter-6-edgenozzle 1,0mm	10 pcs	HG10.476/C	46603350511CPH	Adapter-6-edge nozzle 1,0mm HCP	10 pcs
HG10.477	46603350512H	Adapter-6-edgenozzle 1,2mm	10 pcs	HG10.477/C	46603350512CPH	Adapter-6-edge nozzle 1,2mm HCP	10 pcs
HG10.478	46603350515H	Adapter-6-edgenozzle 1,5mm	10 pcs	HG10.478/C	46603350515CPH	Adapter-6-edge nozzle 1,5mm HCP	10 pcs
HG10.479	46603350517H	Adapter-6-edgenozzle 1,7mm	10 pcs	HG10.479/C	46603350517CPH	Adapter-6-edge nozzle 1,7mm HCP	10 pcs
HG10.480	46603350520H	Adapter-6-edgenozzle 2,0mm	10 pcs	HG10.480/C	46603350520CPH	Adapter-6-edge nozzle 2,0mm HCP	10 pcs
HG10.481	46603350525H	Adapter-6-edgenozzle 2,5mm	10 pcs	HG10.481/C	46603350525CPH	Adapter-6-edge nozzle 2,5mm HCP	10 pcs
HG10.482	46603350530H	Adapter-6-edgenozzle 3,0mm	10 pcs	HG10.482/C	46603350530CPH	Adapter-6-edge nozzle 3,0mm HCP	10 pcs

MAZAK® is the Registered Trademark of MAZAK OPTONICS CORP.

Last update of this page: 09/09/2013. See Revision history for details.

THERMACUT®
THE CUTTING COMPANY

WWW.THERMACUT.CZ
TEL.: +420 556 423 418
SALES@THERMACUT.CZ

WWW.THERMACUT.DE
TEL.: +49 (0) 27 39 40 33 0
INFO@THERMACUT.DE

WWW.THERMACUT.COM
TEL.: 1-603-542-6715
CUSTOMERSERVICE@THERMACUT.COM

THERMACUT IS IN NO WAY AFFILIATED WITH THE ABOVE-NAMED MANUFACTURERS. REFERENCES TO THE ABOVE-NAMED MACHINES, TORCHES, CONSUMABLES AND REFERENCE NUMBERS ARE FOR CONVENIENCE ONLY. MOST THERMACUT PARTS ARE MADE FOR OR BY AN IBG COMPANY. PARTS INDICATED WITH A * ARE ORIGINAL PARTS MANUFACTURED BY THE ABOVE NAMED MANUFACTURER AND ARE BEING RESOLD BY THERMACUT. THERMACUT RESERVES THE RIGHT TO SUBSTITUTE OEM PARTS IN PLACE OF THERMACUT PARTS. VALID FROM MAY 2015 • PREVIOUS VERSION IS NO LONGER VALID. • © COPYRIGHT 2015 BY THERMACUT® CZECH REPUBLIC. ALL RIGHTS RESERVED.

REPLACEMENT PARTS SUITABLE FOR MAZAK®

MAZAK® 5" C/MG, MAZAK® 5" H/MG



HG 10.239-242



HG 10.286-290



HG 10.244-248



HG 10.291-297

Part No.	Ref. No.	Description	Std. Pkg.	Part No.	Ref. No.	Description	Std. Pkg.
HG10.461	4671330032	Ring for SPACE GEAR Vespel®	1 pc	HG10.288	46713300290-15	Nozzle 1,5mm 3D (P0352-381-00015)	1 pc
HG10.241	281006	Nozzle 1,0mm kk (P0352-333-00010)	1 pc	HG10.289	HG10.289	Nozzle 1,8mm 3D	1 pc
HG10.242	281030	Nozzle 1,2mm kk (P0352-334-00012)	1 pc	HG10.290	46713300310-2.0	Nozzle 2,0mm 3D (P0352-382-00020)	1 pc
HG10.243	281031	Nozzle 1,5mm kk (P0352-335-00015)	1 pc	HG10.486	46713300280-25	Nozzle 2,5mm 3D (P0352-385-00025)	1 pc
HG10.240	280898	Nozzle 1,8mm kk (P0352-336-00018)	1 pc	HG10.487	46713300280-30	Nozzle 3,0mm 3D	1 pc
HG10.239	P0352.336.00020	Nozzle 2,0mm kk	1 pc	HG10.291	HG10.291	Nozzle 1,0mm 2D	1 pc
HG10.245	281005	Nozzle 1,0mm zk (P0352-323-00010)	1 pc	HG10.292	46713300310-1.2	Nozzle 1,2mm 2D	1 pc
HG10.246	281034	Nozzle 1,2mm zk (P0352-324-00012)	1 pc	HG10.293	P0352-386-00015	Nozzle 1,5mm 2D (P0352-386-00015)	1 pc
HG10.247	281013	Nozzle 1,5mm zk (P0352-325-00015)	1 pc	HG10.294	HG10.294	Nozzle 1,8 mm 2D	1 pc
HG10.244	280899	Nozzle 1,8mm zk (P0352-326-00018)	1 pc	HG10.295	46713300300	Nozzle 2,0 mm 2D (P0352-387-00020)	1 pc
HG10.248	350044-3	Nozzle 2,0mm zk (P0352-327-00020)	1 pc	HG10.296	46713300300-25	Nozzle 2,5 mm 2D	1 pc
HG10.286	46713300290-10	Nozzle 1,0mm 3D (P0352-383-00010)	1 pc	HG10.297	46713300300-30	Nozzle 3,0 mm 2D	1 pc
HG10.287	46713300290-12	Nozzle 1,2mm 3D (P0352-384-00012)	1 pc				

HYPER GEAR NTX510®



HG 10.670-676



HG 10.677-683

Part No.	Ref. No.	Description	Std. Pkg.	Part No.	Ref. No.	Description	Std. Pkg.
HG10.685	HG10.685	Nozzle 1,0 mm HCP	10 pcs	HG10.677	HG10.677	Double nozzle 1,2 mm HCP	10 pcs
HG10.670	46143304470	Nozzle 1,2 mm HCP	10 pcs	HG10.678	HG10.678	Double nozzle 1,5 mm HCP	10 pcs
HG10.671	46143304450	Nozzle 1,5 mm HCP	10 pcs	HG10.679	HG10.679	Double nozzle 2,0 mm HCP	10 pcs
HG10.672	46143304460	Nozzle 2,0 mm HCP	10 pcs	HG10.680	HG10.680	Double nozzle 2,5 mm HCP	10 pcs
HG10.673	46143304480	Nozzle 2,5 mm HCP	10 pcs	HG10.681	HG10.681	Double nozzle 3,0 mm HCP	10 pcs
HG10.674	46143304490	Nozzle 3,0 mm HCP	10 pcs	HG10.682	HG10.682	Double nozzle 3,5 mm HCP	10 pcs
HG10.675	46143304500	Nozzle 3,5 mm HCP	10 pcs	HG10.683	HG10.683	Double nozzle 4,0 mm HCP	10 pcs
HG10.676	46143304510	Nozzle 4,0 mm HCP	10 pcs				

MAZAK® is the Registered Trademark of MAZAK OPTONICS CORP.

Last update of this page: 09/09/2013. See Revision history for details.

THERMACUT®
THE CUTTING COMPANY

WWW.THERMACUT.CZ
TEL.: +420 556 423 418
SALES@THERMACUT.CZ

WWW.THERMACUT.DE
TEL.: +49 (0) 27 39 40 33 0
INFO@THERMACUT.DE

WWW.THERMACUT.COM
TEL.: 1-603-542-6715
CUSTOMERSERVICE@THERMACUT.COM

THERMACUT IS IN NO WAY AFFILIATED WITH THE ABOVE-NAMED MANUFACTURERS. REFERENCES TO THE ABOVE-NAMED MACHINES, TORCHES, CONSUMABLES AND REFERENCE NUMBERS ARE FOR CONVENIENCE ONLY. MOST THERMACUT PARTS ARE MADE FOR OR BY AN IBG COMPANY. PARTS INDICATED WITH A * ARE ORIGINAL PARTS MANUFACTURED BY THE ABOVE NAMED MANUFACTURER AND ARE BEING RESOLD BY THERMACUT. THERMACUT RESERVES THE RIGHT TO SUBSTITUTE OEM PARTS IN PLACE OF THERMACUT PARTS. VALID FROM MAY 2015 • PREVIOUS VERSION IS NO LONGER VALID. • © COPYRIGHT 2015 BY THERMACUT® CZECH REPUBLIC. ALL RIGHTS RESERVED.

REPLACEMENT PARTS SUITABLE FOR MAZAK®

LENSES SUITABLE FOR MAZAK®

Part No.	Ref. No.	Description	Std. Pkg.	Part No.	Ref. No.	Description	Std. Pkg.
HG10.167/H	HG10.167/H	5,00" ZnSe Meniscus lens High pressure lens (29bar), 38,1mm Effective focal length: 127,0mm Edge thickness: 7,4 mm AR/AR for 10,6um (absorption <0.20%)	1pc	HG15.016/H	HG15.016/H	7,50" ZnSe Plano-convex lens High pressure lens (29bar), 38,1mm Effective focal length: 190,5mm Edge thickness: 7,6 mm AR/AR for 10,6um (absorption <0.20%)	1pc
HG10.620/H	HG10.620/H	5,00" ZnSe Meniscus lens High pressure lens (28bar), 50,8mm Effective focal length: 127,0mm Edge thickness: 9,7 mm AR/AR for 10,6um (absorption <0.24%)	1pc	HG10.621/H	HG10.621/H	7,50" ZnSe Meniscus lens High pressure lens (28bar), 50,8mm Effective focal length: 190,5mm Edge thickness: 9,7 mm AR/AR for 10,6um (absorption <0.24%)	1pc
HG15.015/H	HG15.015/H	5,00" ZnSe Plano-convex lens High pressure lens (28bar), 38,1mm Effective focal length: 127,0mm Edge thickness: 7,6 mm AR/AR for 10,6um (absorption <0.20%)	1pc	HG15.028/H	HG15.028/H	7,50" ZnSe Plano-convex lens High pressure lens (19bar), 50,8mm Effective focal length: 190,5mm Edge thickness: 7,87 mm AR/AR for 10,6um (absorption <0.20%)	1pc
HG15.024/H	HG15.024/H	5,00" ZnSe Plano-convex lens High pressure lens (33bar), 38,1mm Effective focal length: 127,0mm Edge thickness: 7,87 mm AR/AR for 10,6um (absorption <0.20%)	1pc	HG15.003/H	HG15.003/H	7,50" ZnSe Plano-convex lens High pressure lens (28bar), 50,8mm Effective focal length: 190,5mm Edge thickness: 9,7 mm AR/AR for 10,6um (absorption <0.24%)	1pc
HG15.029/H	HG15.029/H	5,00" ZnSe Plano-convex lens High pressure lens (19bar), 50,8mm Effective focal length: 127,0mm Edge thickness: 7,87 mm AR/AR for 10,6um (absorption <0.20%)	1pc	HG10.622/H	HG10.622/H	10,00" ZnSe Meniscus lens High pressure lens (28bar), 50,8mm Effective focal length: 254,0mm Edge thickness: 9,7 mm AR/AR for 10,6um (absorption <0.24%)	1pc
HG15.002/H	HG15.002/H	5,00" ZnSe Plano-convex lens High pressure lens (28bar), 50,8mm Effective focal length: 127,0mm Edge thickness: 9,7mm AR/AR for 10,6um (absorption <0.24%)	1pc	HG10.167/HU	HG10.167/HU	5,00" ZnSe Men. lens - ULTRA LOW High pressure lens (29bar), 38,1mm Effective focal length: 127,0mm Edge thickness: 7,4 mm AR/AR for 10,6um (absorption <0.12%)	1pc
HG10.168/H	HG10.168/H	7,50" ZnSe Meniscus lens High pressure lens (29bar), 38,1mm Effective focal length: 190,5mm Edge thickness: 7,4mm AR/AR for 10,6um (absorption <0.20%)	1pc	HG10.168/HU	HG10.168/HU	7,50" ZnSe Men. lens - ULTRA LOW High pressure lens (29bar), 38,1mm Effective focal length: 190,5mm Edge thickness: 7,4 mm AR/AR for 10,6um (absorption <0.12%)	1pc

ACCESSORIES SUITABLE FOR MAZAK®

Part No.	Ref. No.	Description	Std. Pkg.
HG10.174	HG10.174	Polish for laser optics, 100ml	1pc
HG10.173	HG10.173	Lens cleaning paper from Tiffen, sheet size 70x115mm	50pcs

MAZAK® is the Registered Trademark of MAZAK OPTONICS CORP.

Last update of this page: 09/09/2013. See Revision history for details.

THERMACUT®
THE CUTTING COMPANY

WWW.THERMACUT.CZ
TEL.: +420.556 423 418
SALES@THERMACUT.CZ

WWW.THERMACUT.DE
TEL.: +49 (0) 27 39 40 33 0
INFO@THERMACUT.DE

WWW.THERMACUT.COM
TEL.: 1-603-542-6715
CUSTOMERSERVICE@THERMACUT.COM

THERMACUT IS IN NO WAY AFFILIATED WITH THE ABOVE-NAMED MANUFACTURERS. REFERENCES TO THE ABOVE-NAMED MACHINES, TORCHES, CONSUMABLES AND REFERENCE NUMBERS ARE FOR CONVENIENCE ONLY. MOST THERMACUT PARTS ARE MADE FOR OR BY AN IBG COMPANY. PARTS INDICATED WITH A * ARE ORIGINAL PARTS MANUFACTURED BY THE ABOVE NAMED MANUFACTURER AND ARE BEING RESOLD BY THERMACUT. THERMACUT RESERVES THE RIGHT TO SUBSTITUTE OEM PARTS IN PLACE OF THERMACUT PARTS. VALID FROM MAY 2015 • PREVIOUS VERSION IS NO LONGER VALID. • © COPYRIGHT 2015 BY THERMACUT® CZECH REPUBLIC. ALL RIGHTS RESERVED.